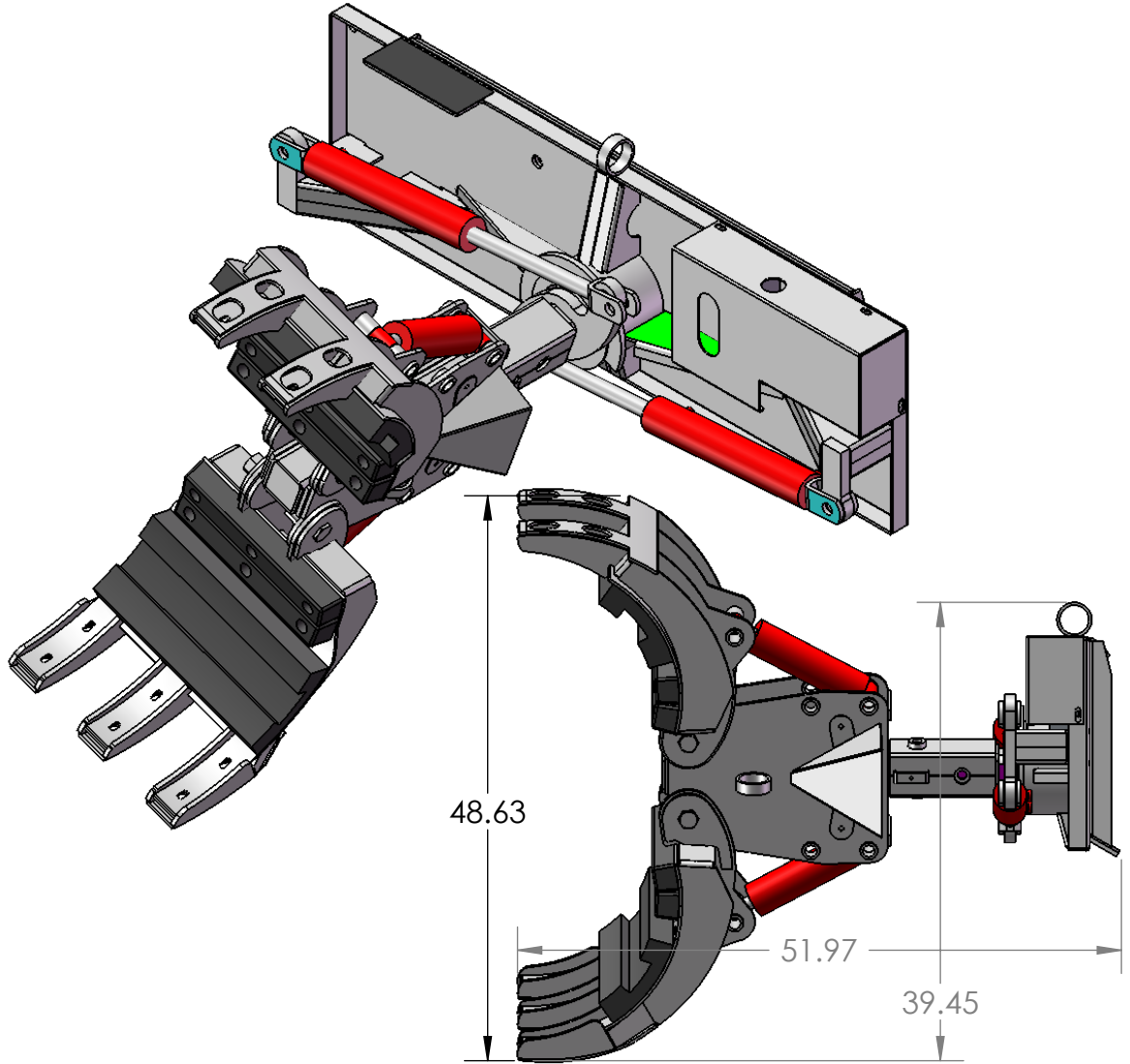
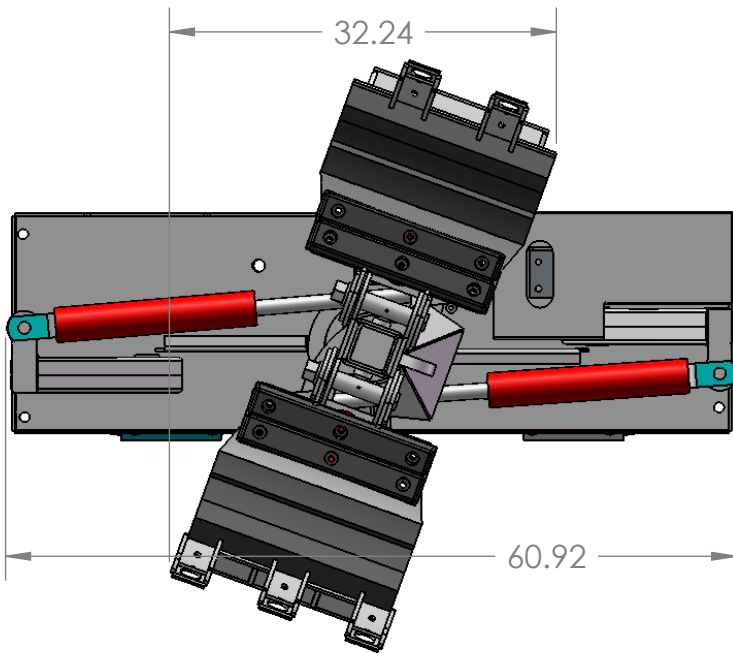


127° ROTATION TO  
OPERATOR'S LEFT



PROPRIETARY AND CONFIDENTIAL  
THE INFORMATION CONTAINED IN THIS  
DRAWING IS THE SOLE PROPERTY OF  
EZ-SPOT-UR. ANY REPRODUCTION IN PART  
OR AS A WHOLE WITHOUT THE WRITTEN  
PERMISSION OF EZ-SPOT-UR IS PROHIBITED.

		UNLESS OTHERWISE SPECIFIED:	NAME	DATE
		DIMENSIONS ARE IN INCHES	DRAWN	TIM R
		TOLERANCES:	CHECKED	8-16-10
		FRACTIONAL ±	ENG APPR.	
		ANGULAR: MACH ± BEND ±	MFG APPR.	
		TWO PLACE DECIMAL ±	Q.A.	
		THREE PLACE DECIMAL ±	COMMENTS:	
		INTERPRET GEOMETRIC TOLERANCING PER:		
		MATERIAL		
		FINISH		
NEXT ASSY	USED ON			
APPLICATION		DO NOT SCALE DRAWING		

# EZ-SPOT-UR

TITLE:  
**ASSY, (ROTATED OPEN  
BACK PIVOT)**

SIZE	DWG. NO.	REV
<b>A</b>	<b>TH-01-0007</b>	

SCALE: 1:16 WT: 782.26 LBS SHEET 6 OF 8